



AC series

Ø 4 mm cylindrical
miniaturized inductive sensors



Ø 4 mm cylindrical
miniaturized

features

- Smooth stainless steel housing
- Ø4 mm diameter
- Yellow output LED 360° visible
- Available 2 m PVC cable models or M8 connector models
- IP 67 protection degree



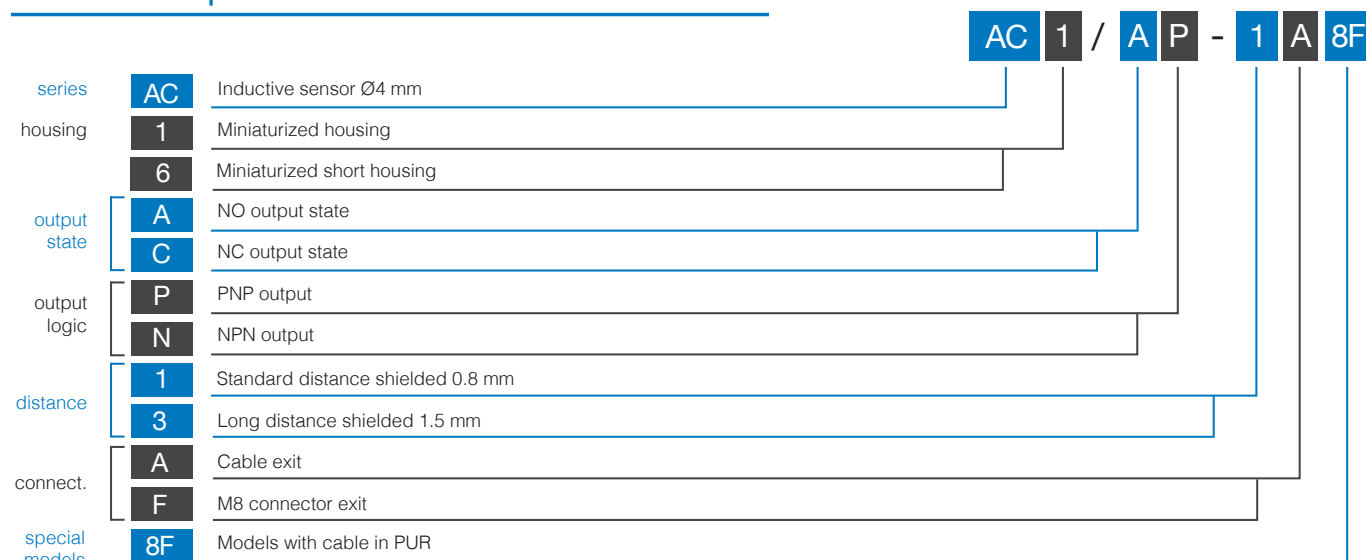
web contents



- Application notes
- Photos
- Catalogue / Manuals



code description^(*)



Models with plug or cable exit in PUR → certification

Models with cable exit in PVC → certification

(*) ATEX models available, contact our Sales Dept. for further information.

available models

diameter	installation	distance	plug	distance (mm)	PNP/NO	NPN/NO	PNP/NC	NPN/NC
Ø 4	shielded	standard	cable	0,8	AC1/AP-1A	AC1/AN-1A	AC1/CP-1A	AC1/CN-1A
					AC6/AP-1A	AC6/AN-1A	AC6/CP-1A	AC6/CN-1A
			M8	AC1/AP-1F	AC1/AN-1F	AC1/CP-1F	AC1/CN-1F	
		long distance	cable	1,5	AC1/AP-3A	AC1/AN-3A	AC1/CP-3A	AC1/CN-3A
					AC6/AP-3A	AC6/AN-3A	AC6/CP-3A	AC6/CN-3A
			M8	AC1/AP-3F	AC1/AN-3F	AC1/CP-3F	AC1/CN-3F	

AC

technical specification

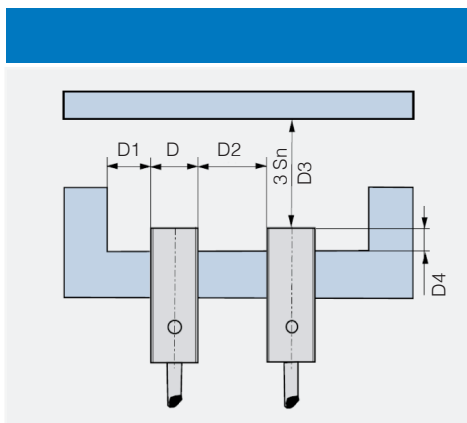
Ø 4 mm cylindrical
miniaturized

	AC*/**-1*	AC*/**-3*
nominal sensing distance S_n	0.8 mm	1.5 mm
working distance	0...0.65 mm	0...1.21 mm
hysteresis	1...20%	
standard target	4 x 4 mm	4.5 x 4.5 mm
repeatability	5% @UB=20...30 V; Ta = 23°C ±5°C	
operating voltage	10...30 Vdc	
output type	NPN or PNP - NO or NC	
ripple	≤ 10%	
output current	≤ 100 mA	
output voltage drop	≤ 1.5 V @ 100 mA	
no-load supply current	≤ 10 mA	
leakage current	≤ 10 µA	
switching frequency	5 Hz	
power on delay	≤ 50 ms	
temperature range	-25...+70 °C	
temperature drift	≤ 10%	
power supply protections	polarity reversal	
output protection	short circuit (auto reset), overvoltage pulses	
EMC	in conformity with the EMC Directive according to IEC 60947-5-2	
shock and vibration	IEC 60947-5-2	
protection degree	IP67	
housing material	stainless steel AISI 303	
active head material	PBT	
reduction factor	see table	
LEDs	on (yellow LED)	
weight	4g M8 connector / 30 g cable	

correction factors

model	FE 360	copper	aluminium	brass	stainless steel
AC1/**-1*	1	0.28 ± 10%	0.21 ± 10%	0.32 ± 10%	0.63 ± 10%
AC1/**-3*		0.29 ± 10%	0.23 ± 10%	0.31 ± 10%	0.66 ± 10%

installation

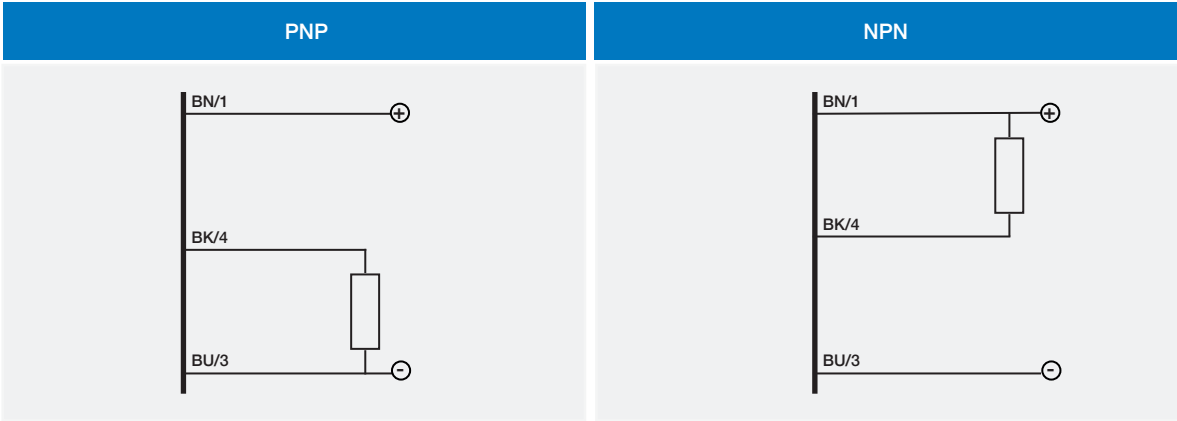


model	D4	D1	D2	D3
AC1/**-1*	≥ 2 mm ⁽¹⁾	≥ 4 mm	≥ 8 mm	≥ 2.4 mm
AC1/**-3*	≥ 3 mm ⁽²⁾	≥ 4 mm	≥ 8 mm	≥ 4.5 mm

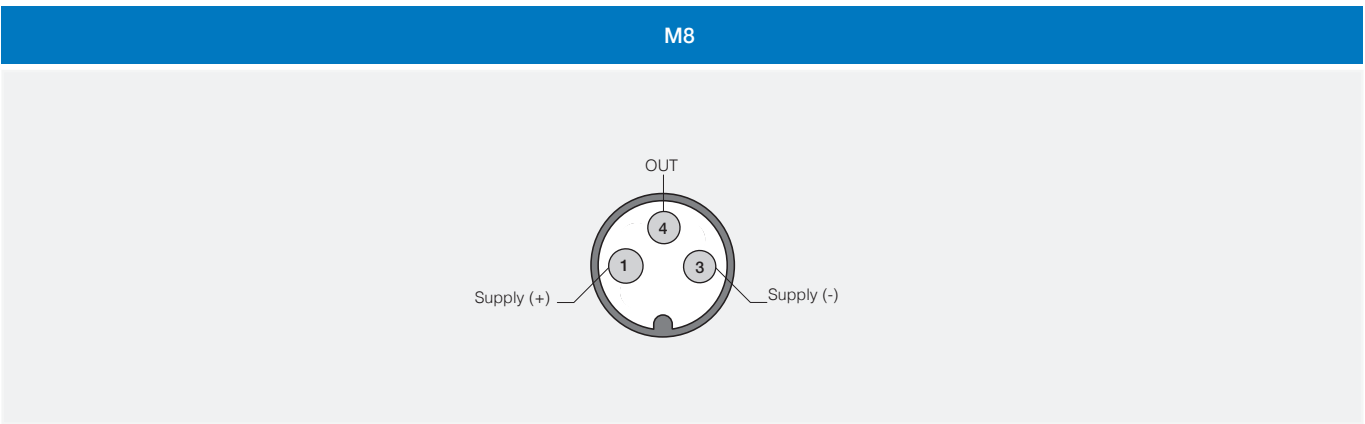
⁽¹⁾ ≥ 3 mm without ferro-magnetic material
⁽²⁾ ≥ 4 mm without ferro-magnetic material

electrical diagrams of connections

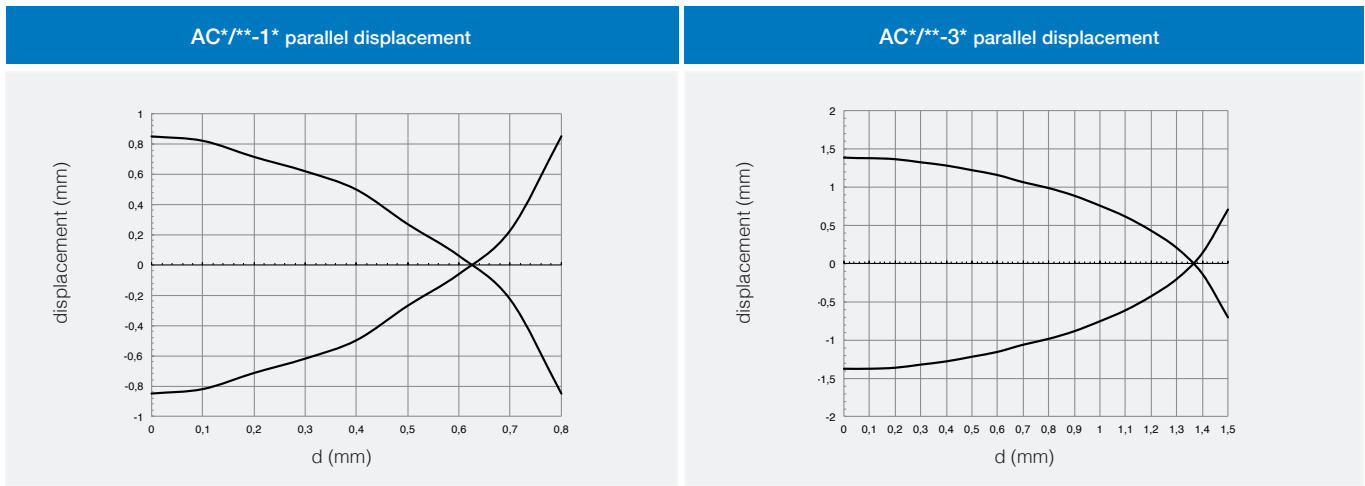
↗
 Ø 4 mm cylindrical
 miniaturized



plug



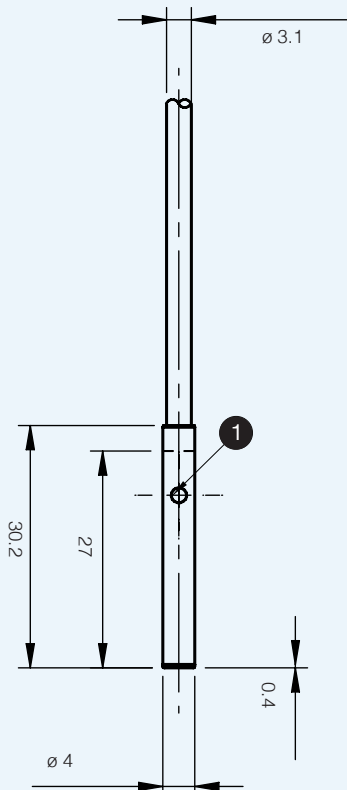
response diagrams



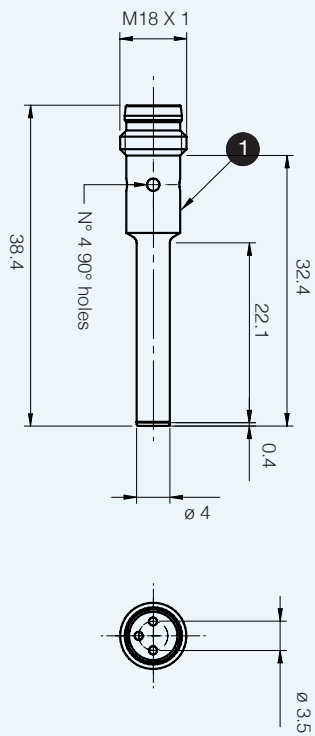
dimensions (mm)

Ø 4 mm cylindrical
miniaturized

AC1/**-*A

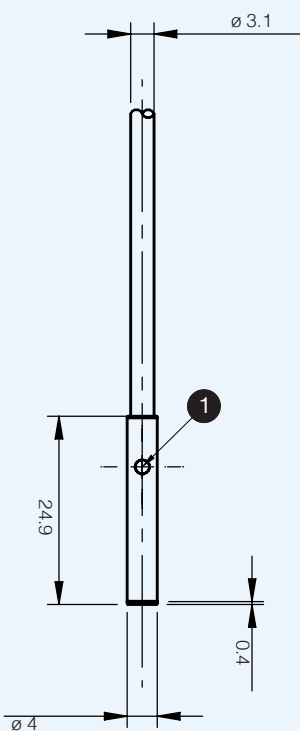


AC1/**-*F



1 LED

AC6/**-*A



1 LED