

FT 88-IH

Diffuse infrared sensor with background suppression



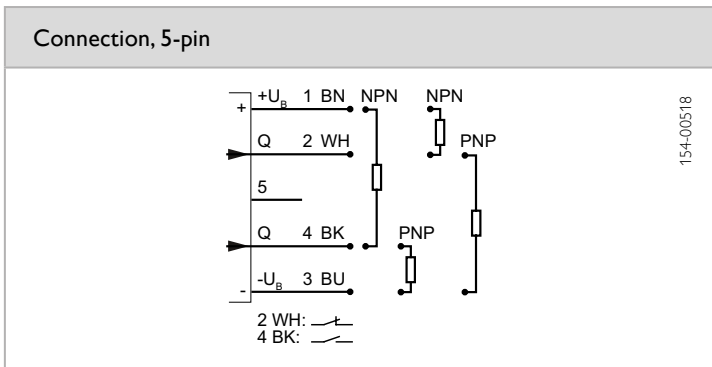
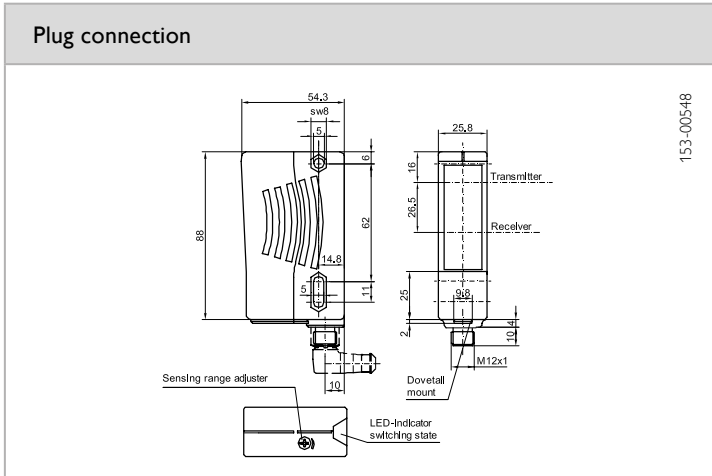
PRODUCT HIGHLIGHTS

- Long scanning distance of 2000 mm
- Precise background suppression
- Antivalent switching output

Optical data		Functions	
Scanning distance	20 ... 2000 mm ¹	Indicator LED, yellow	Switching output indicator
Type of light	LED, infrared, 880 nm	Scanning distance adjustment	Via potentiometer
Light spot size ²	Ø 70 mm	Default setting	Max. scanning distance
Electrical data		Mechanical data	
Operating voltage, +U _B	10 ... 30V DC ³	Dimensions	88 x 54.3 x 25.8 mm
No-load current, I ₀	≤ 40 mA	Enclosure rating	IP 67 ⁴
Output current, I _e	≤ 200 mA	Material, housing	ABS
Protective circuits	Reverse-polarity protection, U _B / short-circuit protection (Q)	Material, front screen	PMMA
Protection Class	2	Type of connection	See selection table
Power On Delay	≤ 300 ms	Ambient temperature: operation	-40 ... +60 °C
Switching output, Q	PNP/NPN antivalent (see selection table)	Ambient temperature: storage	-40 ... +75 °C
Output function	N.O./N.C.	Weight (plug device)	70 g
Switching frequency, f (ti/tp 1:1)	≤ 250 Hz	Vibration and impact resistance	EN 60947-5-2
Response time	2 ms		
Connection, BK	N.O.		
Connection, WH	N.C.		

¹ Reference material: grey, 18 % reflectivity ² At scanning distance of 2000 mm ³ Max. 10 % ripple, within U_B ⁴ With connected IP 67 plug

Scanning distance	Switching output	Type of connection	Part number	Article number
20 ... 2000 mm	PNP	Plug, M12x1, 5-pin	FT 88-IH-PA-L5	821-11013
20 ... 2000 mm	NPN	Plug, M12x1, 5-pin	FT 88-IH-NA-L5	821-11014



Accessories

Connection cables	From Page A-38
Brackets	From Page A-4