

LINEAR POTENTIOMETER



LZOW SERIES

Key-Features:

- Self-aligning rod end bearings
- Measurement ranges from 10 to 400 mm
- Displacement speed up to 5 m/s
- Linearity up to $\pm 0.05\%$
- Repeatability < 0.01 mm
- Protection class IP65
- Operating temperature up to $-20\dots+80\text{ }^{\circ}\text{C}$
- Life cycle 100 million movements

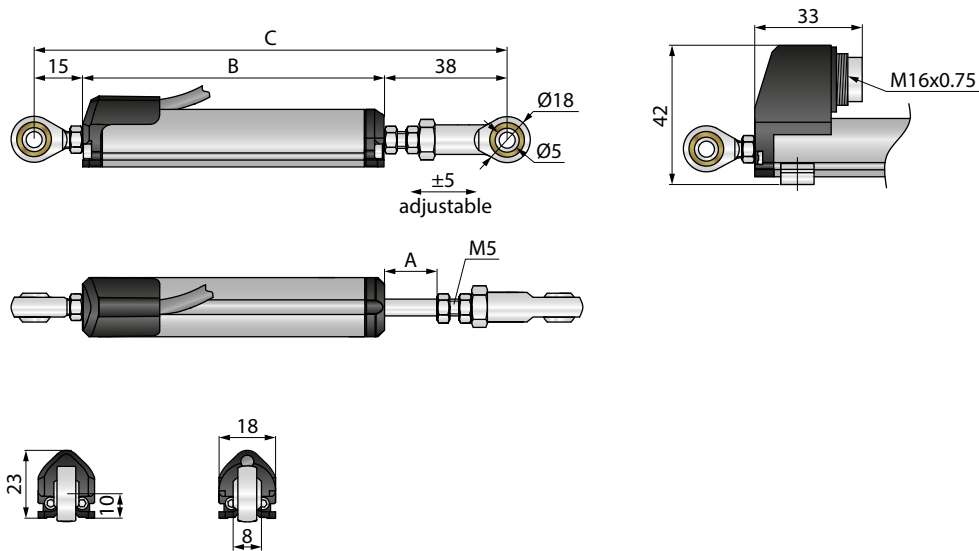
Content

Technical Data	2
Technical Drawing	2
Electrical Connection.....	3
Order Code.....	3

TECHNICAL DATA

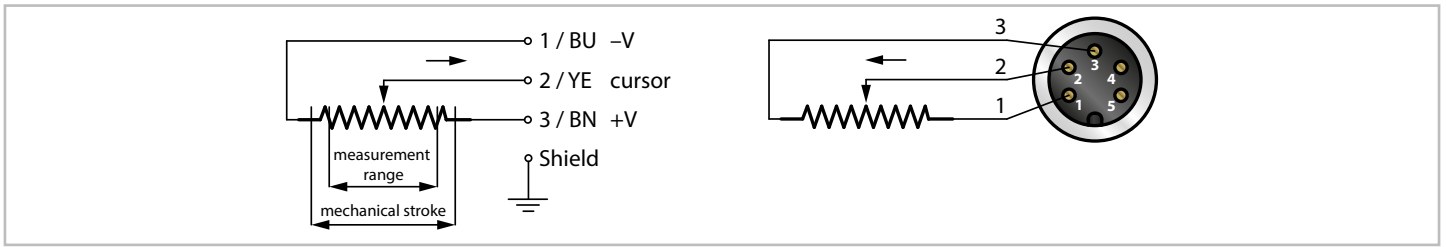
Measurement range	[mm]	10	25	50	75	100	125	150	175	200	250	300	350	400	
Linearity	[%]	±0.5			±0.2			±0.1			±0.05				
Repeatability	[mm]	<0.01													
Resolution		Theoretical infinite, depends on the signal quality of the reference respectively supply voltage													
Displacement speed	[m/s]	<5													
Resistance	[kΩ]	2					5								
Tolerance on resistance	[%]	±20													
Applicable voltage max.	[VDC]	28													
Recommended cursor current	[μA]	<1													
Load resistance min.	[kΩ]	100													
Protection class		IP65													
Operating temperature	[°C]	-20...+80													
Storage temperature	[°C]	-30...+90													
Life cycle		100 million movements													
Connection		Connector M16, 5 poles or cable, 3 poles													
Rod		Stainless steel													
Housing		Anodised aluminium													
Mounting		2 self-aligning rod end bearings													

TECHNICAL DRAWING



Measurement range		10	25	50	75	100	125	150	175	200	250	300	350	400
Mechanical stroke	A	13	28	53	78	103	128	153	178	203	253	303	353	403
Housing length	B	58	73	98	123	148	173	198	223	248	298	348	398	448
Min. distance ball joints	C	111	126	151	176	201	226	251	276	301	351	401	451	501

ELECTRICAL CONNECTION



ORDER CODE

LZOW - [] - [] - []

Measurement range [mm] 10 / 25 / 50 / 75 / 100 / 125 / 150 / 175 / 200 / 250 / 300 / 350 / 400					
Resistance 2 kΩ (for ranges <75 mm) 5 kΩ (for ranges ≥75 mm)	2R 5R			SA16 KA01 KA02	Connection Connector M16 with mating connector Cable, 3 poles, 1 m Cable, 3 poles, 2 m

ACCESSORIES

Digital displays for sensors with analog output, 2 channel	
WAY-AX-S	touch screen, supply: 18...30 VDC
WAY-AX-AC	touch screen, supply: 115...230 VAC

Mating connector for self assembly	
CON011	5 poles, IP40, for cable diameter 4...6 mm

For more information and options please refer to the [WAY-AX data sheet](#).

Subject to change without prior notice.

WayCon Positionsmesstechnik GmbH
 Email: info@waycon.de
 Internet: www.waycon.biz

Headquarters Munich
 Mehlflehenstr. 4
 82024 Taufkirchen
 Tel. +49 (0)89 67 97 13-0
 Fax +49 (0)89 67 97 13-250

Office Cologne
 Auf der Pehle 1
 50321 Brühl
 Tel. +49 (0)2232 56 79 44
 Fax +49 (0)2232 56 79 45



Positionsmesstechnik