

# BRACKETS

## Metal angled brackets

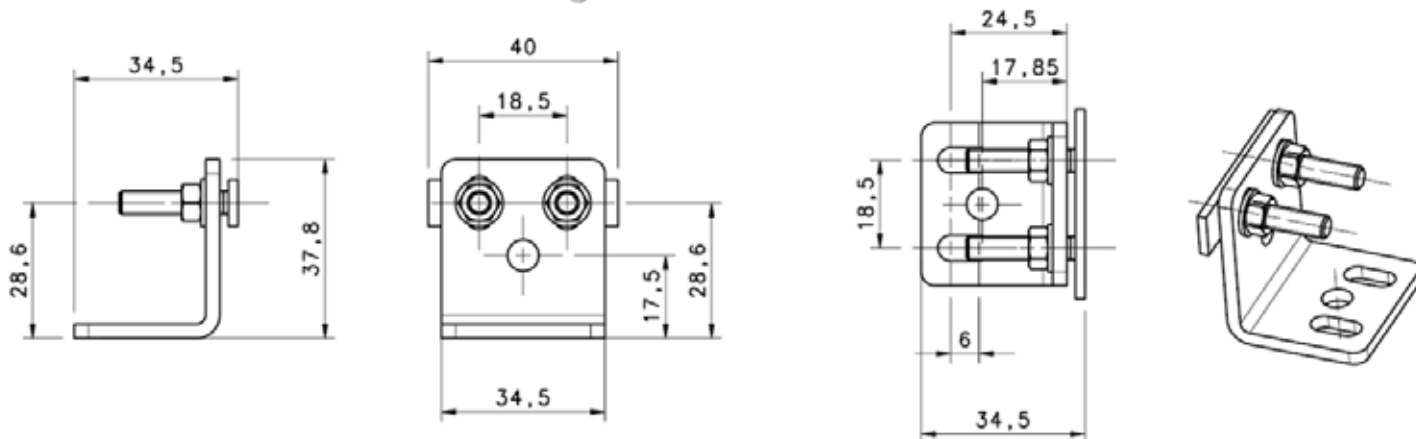
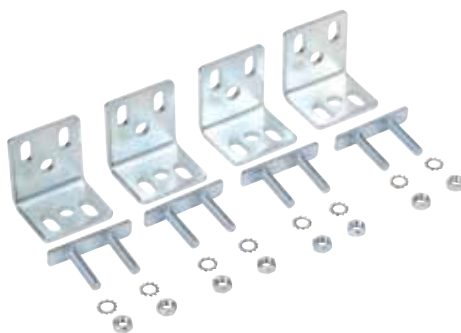
MODEL	DESCRIPTION	ORDER NUMBER
ST-KSTD	Fixing brackets (4 pcs kit)	95ACC1670

### COMPATIBILITY

SG2 BASE, SG4 BASE  
 SG2 EXTENDED, SG4 EXTENDED  
 SG2/4 COMPACT BODY  
 SG2 MUTING  
 SG2/4 BODY BIG,  
 SG4 BODY REFLECTOR,  
 SG4 LONG RANGE BASE.

### NOTES

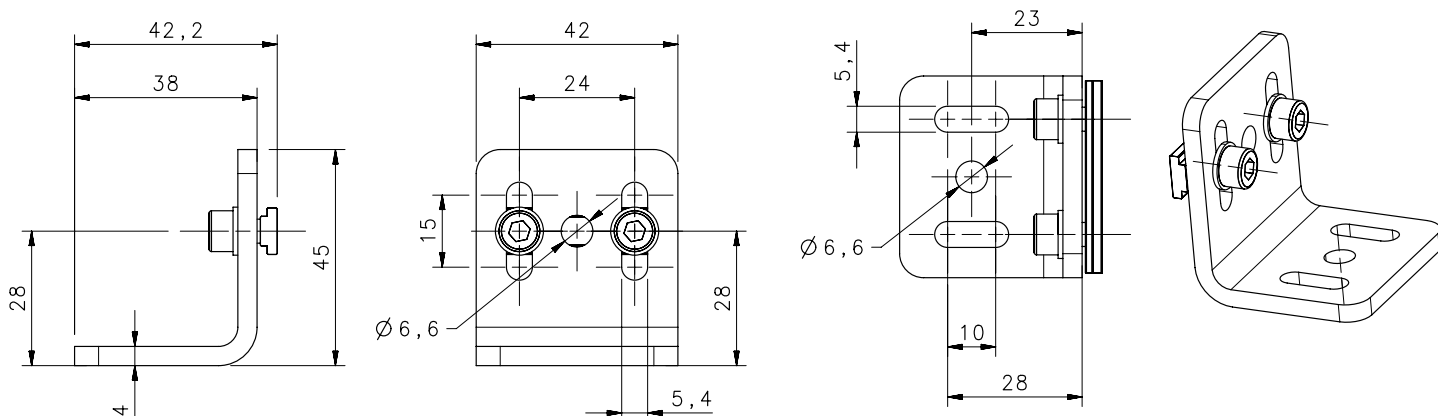
They can be used in combination with orientable (ST-K4OR/K6OR) or antivibration (ST-K4AV/K6AV) supports.



MODEL	DESCRIPTION	ORDER NUMBER
ST-K4STD-SG BODY BIG	Fixing brackets (4 pcs kit) for SG BODY BIG	95ASE1950

### COMPATIBILITY

SG BODY BIG



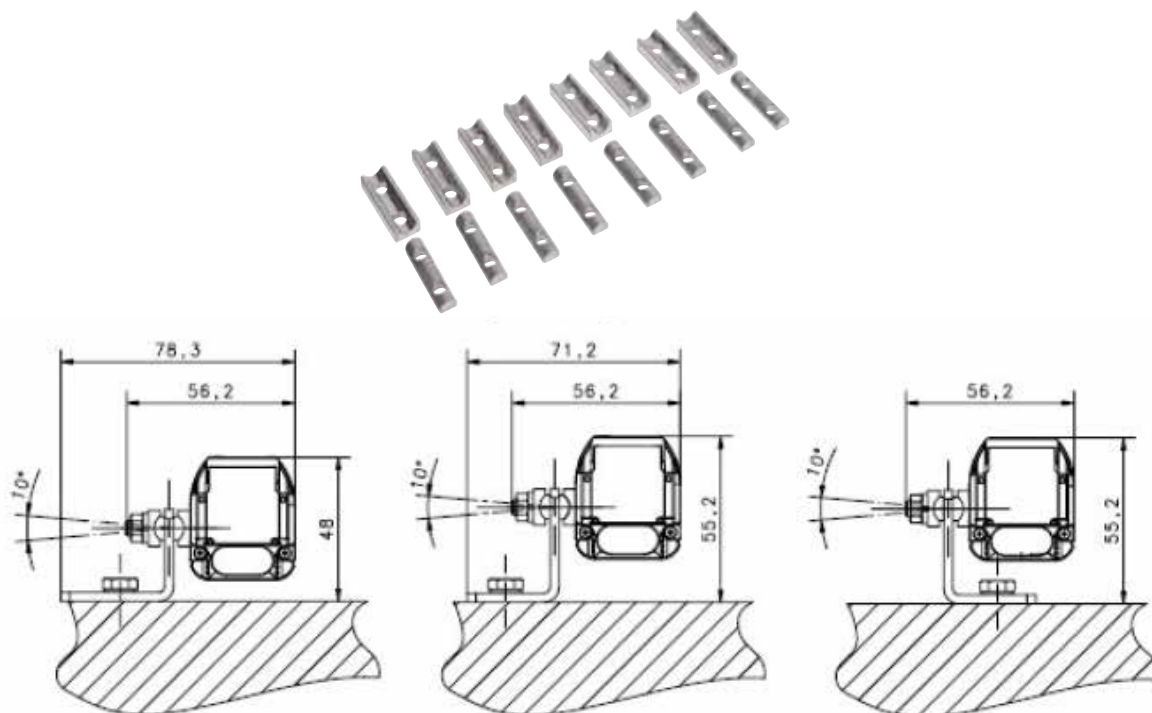
MODEL	DESCRIPTION	ORDER NUMBER
ST-K40R	Orientable supports (4 pcs kit)	95ACC1680
ST-K60R	Orientable supports (6 pcs kit)	95ACC1690

**COMPATIBILITY**

SG2 BASE, SG4 BASE  
 SG2 EXTENDED, SG4 EXTENDED  
 SG2/4 COMPACT BODY  
 SG2 MUTING  
 SG2/4 BODY BIG,  
 SG4 BODY REFLECTOR,  
 SG4 LONG RANGE BASE.

**NOTES**

They can be used together with metal angled fixing brackets (ST-KSTD) or plastic angled mounting brackets (ST-KP4MP/KP6MP), also in combination with antivibration supports (ST-K4AV/K6AV)



Angled mounting bracket

NOTE: the dimensions are related to SG4 EXTENDED. For other models of light curtains, refer to their manual.

MODEL	DESCRIPTION	ORDER NUMBER
ST-K4AV	Anti-vibration supports (4 pcs kit)	95ACC1700
ST-K6AV	Anti-vibration supports (6 pcs kit)	95ACC1710

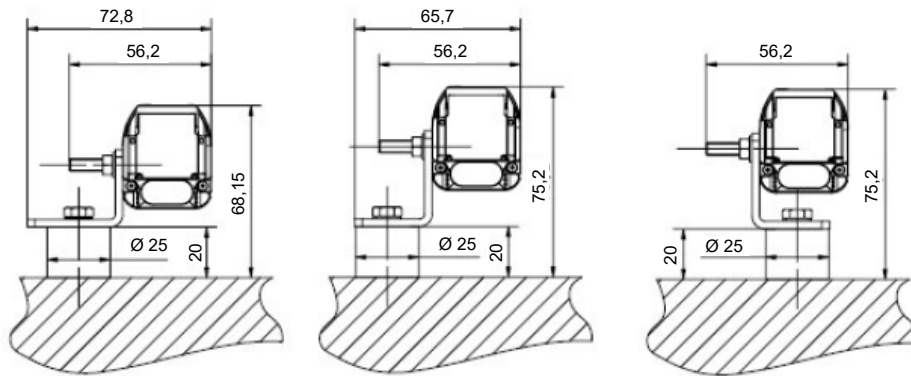
**COMPATIBILITY**

SG2 BASE, SG4 BASE  
 SG2 EXTENDED, SG4 EXTENDED  
 SG2/4 COMPACT BODY  
 SG2 MUTING  
 SG2/4 BODY BIG,  
 SG4 BODY REFLECTOR,  
 SG4 LONG RANGE BASE.

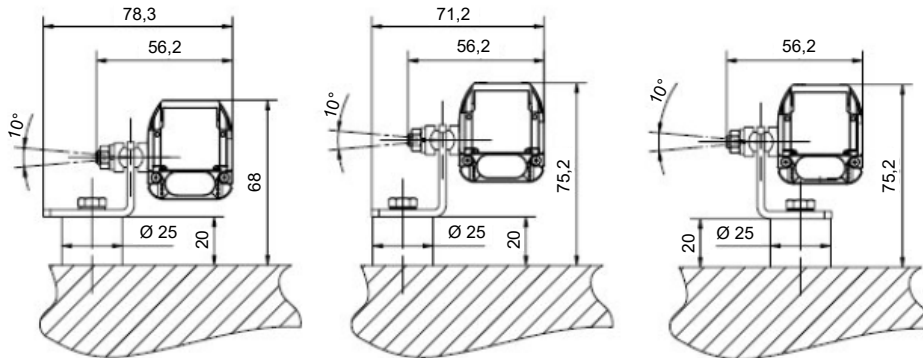
**NOTES**

Anti-vibration supports to be used together with metal angled mounting brackets (ST-KSTD, ST-K4STD-SG BODY BIG) or plastic angled mounting brackets (ST-KP4MP/KP6MP), also in combination with orientable supports (ST-K40R/K60R).





Angled fixing bracket + Antivibration support



Angled mounting bracket + Orientable support + Anti-vibration support

NOTE: the dimensions (mm) are related to SG4 EXTENDED. For other models of light curtains, refer to their manual.

## Plastic angled brackets

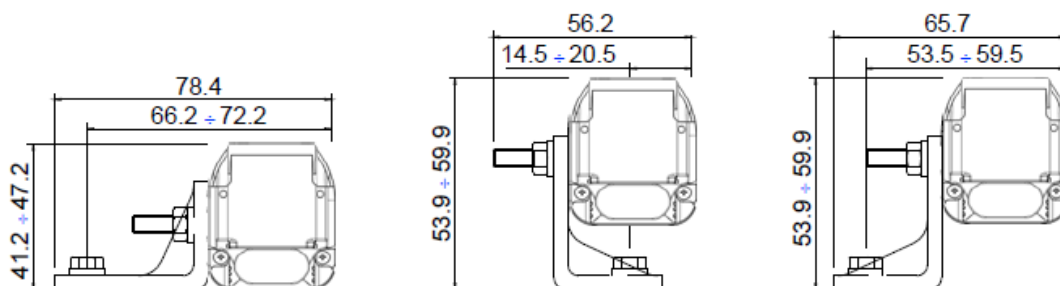
MODEL	DESCRIPTION	ORDER NUMBER
ST-KP4MP	Fixing brackets (4 pcs kit)	95ASE1100
ST-KP6MP	Fixing brackets (6 pcs kit)	95ASE1110

### COMPATIBILITY

SG2 BASE, SG4 BASE  
 SG2 EXTENDED, SG4 EXTENDED  
 SG2/4 BODY COMPACT  
 SG2 MUTING  
 SG2/4 BODY BIG  
 SG4 BODY REFLECTOR  
 SG4 LONG RANGE BASE.

### NOTES

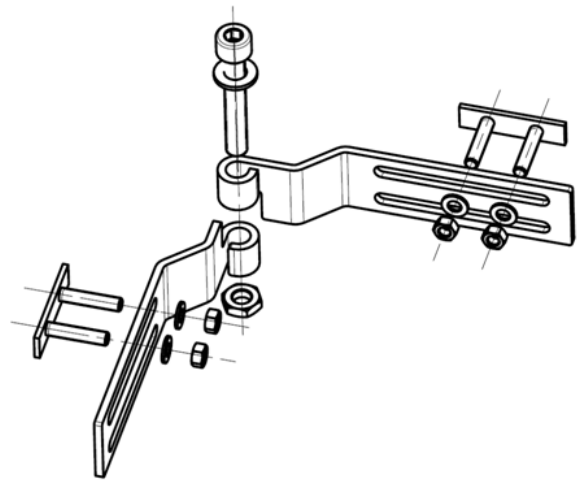
They can be used in combination with orientable (ST-K40R/K60R) or antivibration (ST-K4AV/K6AV) supports.



NOTE: the dimensions (mm) are related to SG4 EXTENDED. For other models of light curtains, refer to their manual.

# Cascade brackets

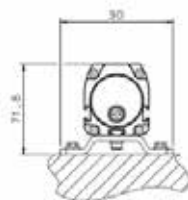
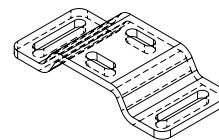
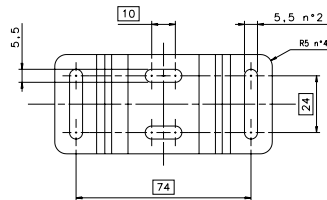
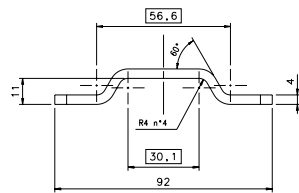
MODEL	DESCRIPTION	ORDER NUMBER
ST-KCASCADE-SG EXTENDED	Connection Bracket for SG4 EXTENDED Cascade	95ASE2110
<b>COMPATIBILITY</b>		
SG4 EXTENDED		



# Rear brackets

MODEL	DESCRIPTION	ORDER NUMBER
ST-K4REAR-SG BODY BIG	Metal rear bracket mounting kit (4 brackets)	95ASE1970
<b>COMPATIBILITY</b>		

SG BODY BIG  
SG BODY REFLECTOR  
SG4 LONG RANGE BASE.

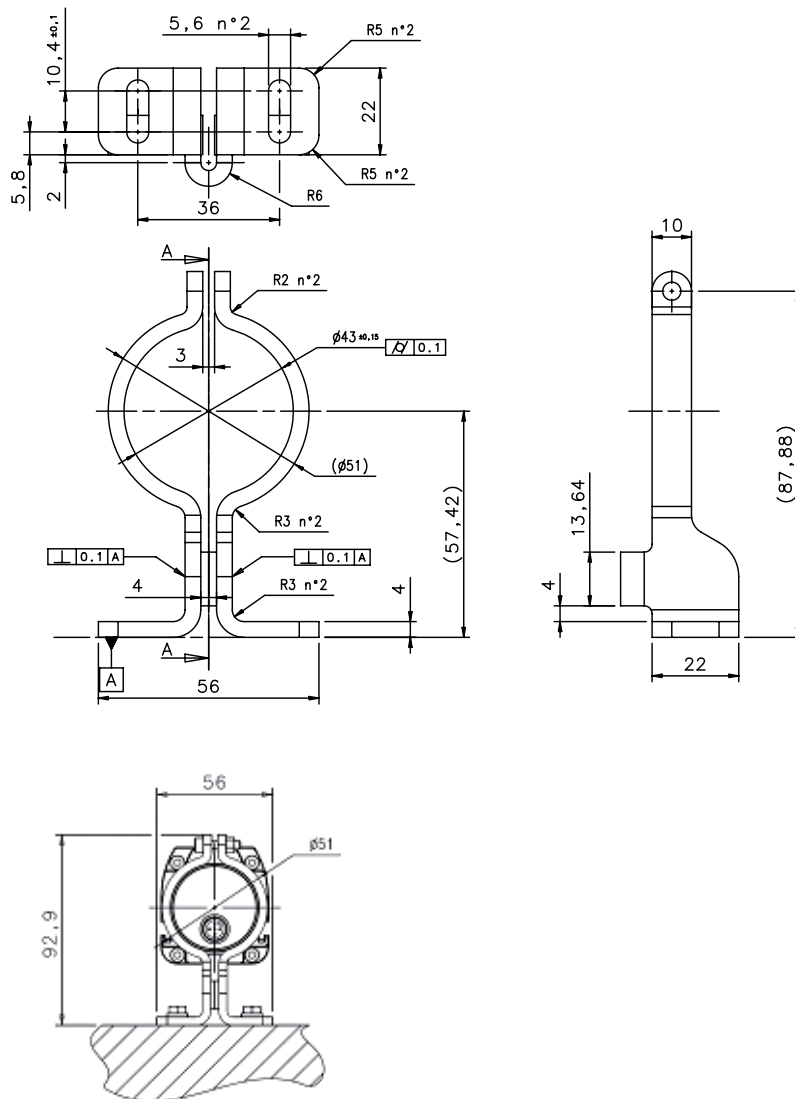


# Rotative brackets

MODEL	DESCRIPTION	ORDER NUMBER
ST-K4ROT-SG BODY BIG	Metal top-bottom rotative fixing bracket mounting kit (4 brackets)	95ASE1960

## COMPATIBILITY

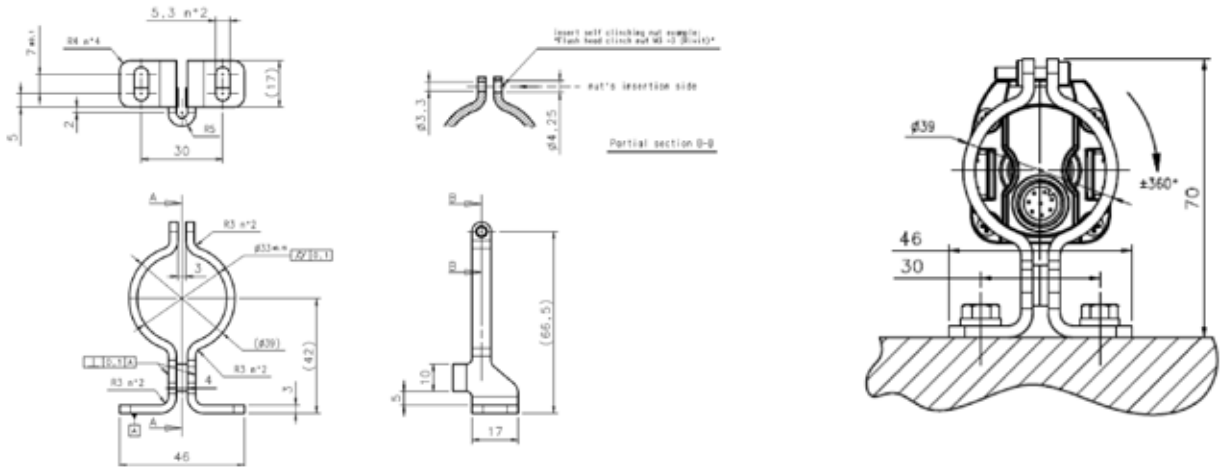
SG BODY BIG  
 SG BODY REFLECTOR  
 SG4 LONG RANGE BASE.



MODEL	DESCRIPTION	ORDER NUMBER
ST-K4ROT-SG BODY COMPACT	Metal top-bottom rotative bracket mounting kit (4 brackets)	95ASE2040

**COMPATIBILITY**

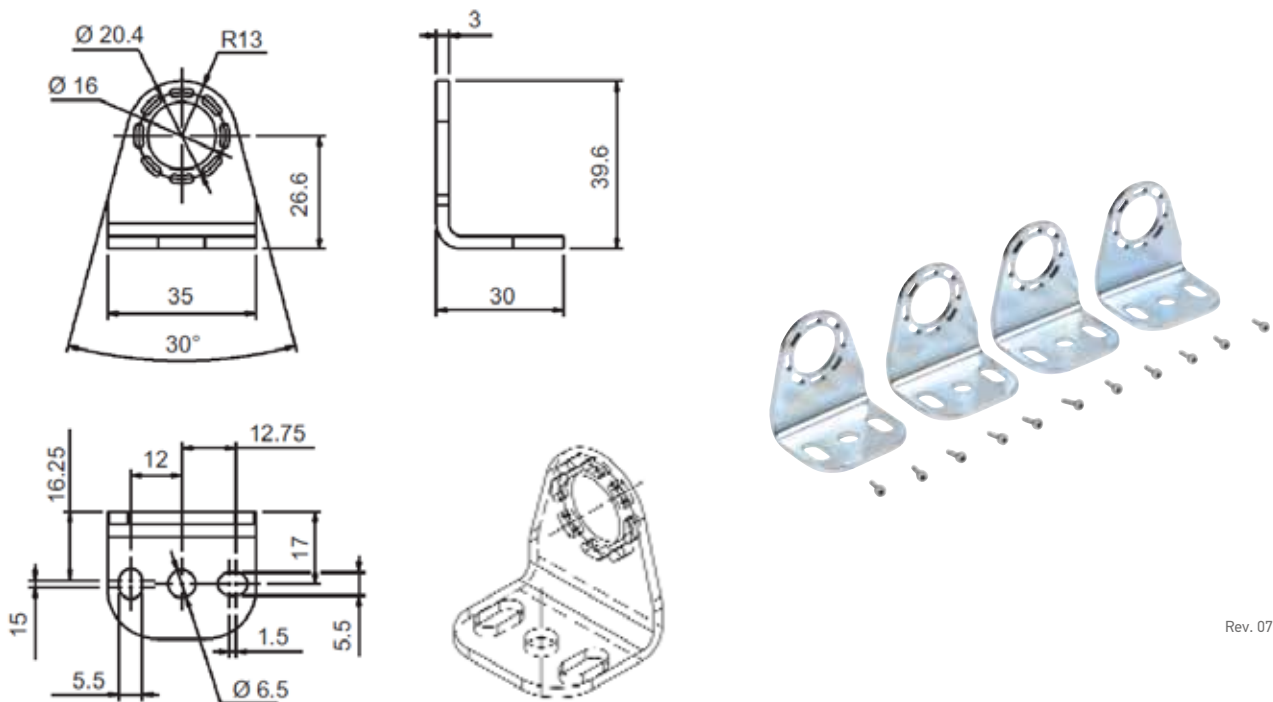
SG BODY COMPACT



MODEL	DESCRIPTION	ORDER NUMBER
ST-K4ROT	Metal top-bottom rotating brackets kit (4 brackets)	95ASE1280

**COMPATIBILITY**

SG2 BASE  
SG4 BASE  
SG2 EXTENDED



Rev. 07, 05/2020