
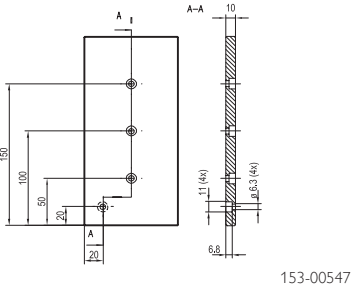

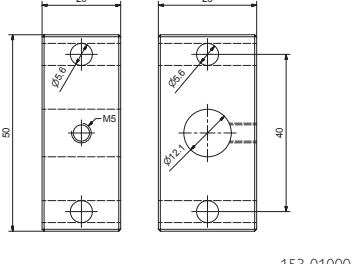

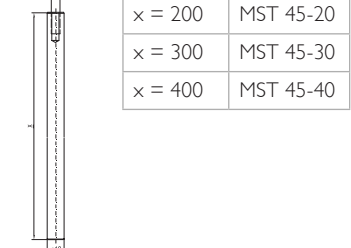

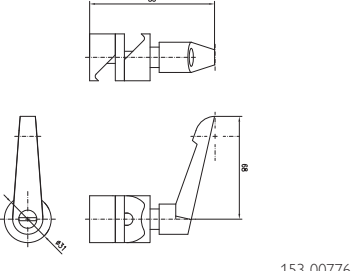
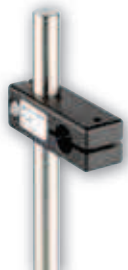
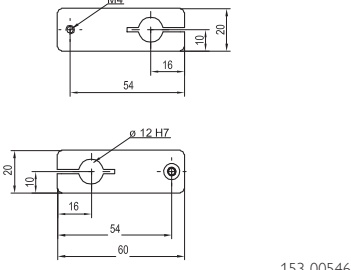

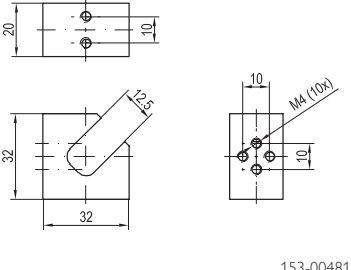
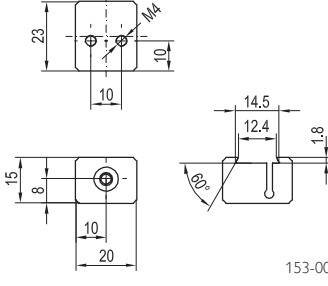


# Accessories

## Mountings

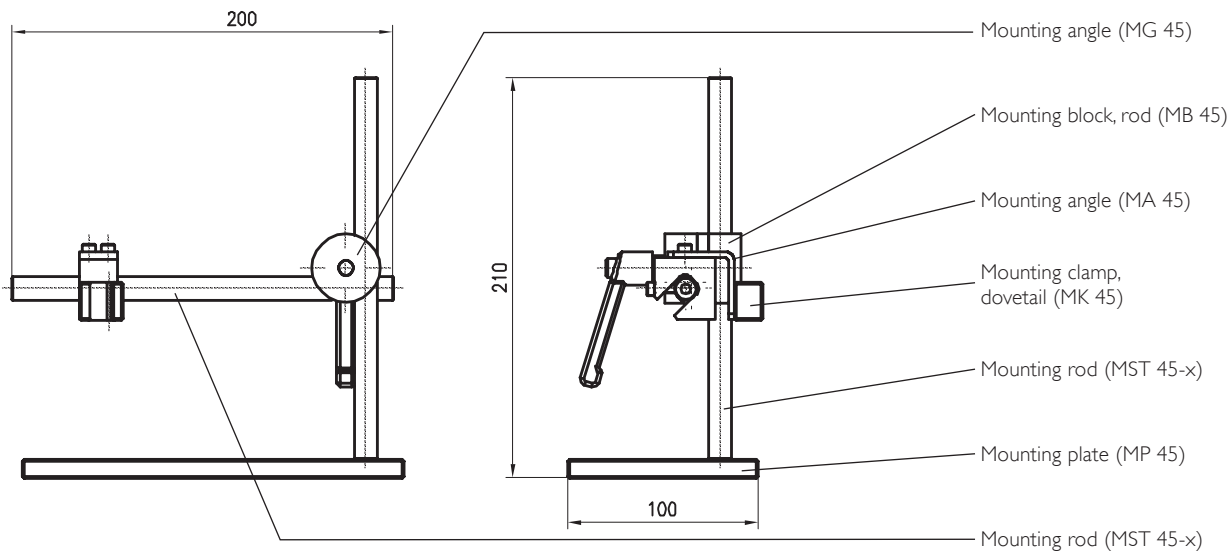
Mountings for V10, V20									
	 <p>153-00547</p>	<table border="1"><tr><td>Part number / Article number</td><td>MP 45 / 543-11003</td></tr><tr><td>Description</td><td>Mounting plate for mounting rod Material: anodised aluminium</td></tr><tr><td>Suitable for</td><td>MST 45-xx</td></tr></table>	Part number / Article number	MP 45 / 543-11003	Description	Mounting plate for mounting rod Material: anodised aluminium	Suitable for	MST 45-xx	
Part number / Article number	MP 45 / 543-11003								
Description	Mounting plate for mounting rod Material: anodised aluminium								
Suitable for	MST 45-xx								
	 <p>153-01000</p>	<table border="1"><tr><td>Part number / Article number</td><td>MB ST1 / 661-01002</td></tr><tr><td>Description</td><td>Mounting for mounting rod with clamping screw Material: aluminium</td></tr><tr><td>Suitable for</td><td>MST 45-20 MST 45-30 MST 45-40</td></tr></table>	Part number / Article number	MB ST1 / 661-01002	Description	Mounting for mounting rod with clamping screw Material: aluminium	Suitable for	MST 45-20 MST 45-30 MST 45-40	
Part number / Article number	MB ST1 / 661-01002								
Description	Mounting for mounting rod with clamping screw Material: aluminium								
Suitable for	MST 45-20 MST 45-30 MST 45-40								
	 <p>153-00545</p>	<table border="1"><tr><td>Part number / Article number</td><td>MST 45-20 / 543-11005 MST 45-30 / 543-11006 MST 45-40 / 543-11007</td></tr><tr><td>Description</td><td>Mounting rod with M6 internal thread Material: stainless steel</td></tr><tr><td>Suitable for</td><td>MP 45, MB ST 1, MG 45, MB 45, MZ 45</td></tr></table>	Part number / Article number	MST 45-20 / 543-11005 MST 45-30 / 543-11006 MST 45-40 / 543-11007	Description	Mounting rod with M6 internal thread Material: stainless steel	Suitable for	MP 45, MB ST 1, MG 45, MB 45, MZ 45	
Part number / Article number	MST 45-20 / 543-11005 MST 45-30 / 543-11006 MST 45-40 / 543-11007								
Description	Mounting rod with M6 internal thread Material: stainless steel								
Suitable for	MP 45, MB ST 1, MG 45, MB 45, MZ 45								
	 <p>153-00776</p>	<table border="1"><tr><td>Part number / Article number</td><td>MG 45 / 543-11008</td></tr><tr><td>Description</td><td>Mounting clamp for mounting rod Material: anodised aluminium, steel screw with plastic handle</td></tr><tr><td>Suitable for</td><td>MST 45-xx</td></tr></table>	Part number / Article number	MG 45 / 543-11008	Description	Mounting clamp for mounting rod Material: anodised aluminium, steel screw with plastic handle	Suitable for	MST 45-xx	
Part number / Article number	MG 45 / 543-11008								
Description	Mounting clamp for mounting rod Material: anodised aluminium, steel screw with plastic handle								
Suitable for	MST 45-xx								
	 <p>153-00546</p>	<table border="1"><tr><td>Part number / Article number</td><td>MZ 45 / 543-11004</td></tr><tr><td>Description</td><td>Intermediate mounting piece for mounting rod Material: anodised aluminium</td></tr><tr><td>Suitable for</td><td>MST 45-xx</td></tr></table>	Part number / Article number	MZ 45 / 543-11004	Description	Intermediate mounting piece for mounting rod Material: anodised aluminium	Suitable for	MST 45-xx	
Part number / Article number	MZ 45 / 543-11004								
Description	Intermediate mounting piece for mounting rod Material: anodised aluminium								
Suitable for	MST 45-xx								
	 <p>153-00481</p>	<table border="1"><tr><td>Part number / Article number</td><td>MB 45 / 543-11002</td></tr><tr><td>Description</td><td>Mounting block for mounting rod Material: anodised aluminium</td></tr><tr><td>Suitable for</td><td>MST 45-xx MA 45 MA 45 L</td></tr></table>	Part number / Article number	MB 45 / 543-11002	Description	Mounting block for mounting rod Material: anodised aluminium	Suitable for	MST 45-xx MA 45 MA 45 L	
Part number / Article number	MB 45 / 543-11002								
Description	Mounting block for mounting rod Material: anodised aluminium								
Suitable for	MST 45-xx MA 45 MA 45 L								

Mountings for V10, V20 (Cont.)			
	 <p>153-00482</p>	Part number / Article number	MA 45 / 543-11001
		Description	Mounting angle Material: stainless steel V2A
		Suitable for	MK 45 MK 45 L MB 45
	 <p>153-00600</p>	Part number / Article number	MA 45 L / 543-11013
		Description	Mounting angle, long Material: stainless steel V2A
		Suitable for	MK 45 MK 45 L MB 45
	 <p>153-00480</p>	Part number / Article number	MK 45 / 543-11000
		Description	Mounting clamp, dovetail Material: anodised aluminium Screw: steel
		Suitable for	V10 / V20
	 <p>153-00901</p>	Part number / Article number	MK 45 L / 543-11021
		Description	Mounting clamp, dovetail, long Material: anodised aluminium, Screw: steel
		Suitable for	V10 / V20
	 <p>153-00913</p>	Part number / Article number	MG 2A / 543-11023
		Description	Mounting angle with 2 axes Material: anodised aluminium
		Suitable for	V10 / V20

# Accessories


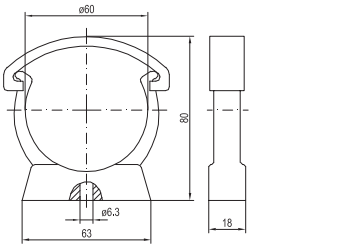

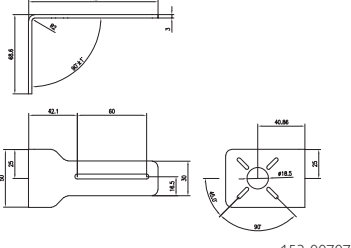

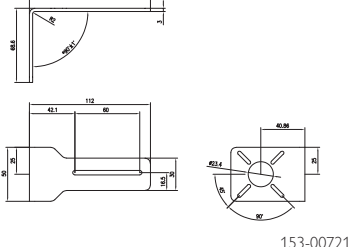

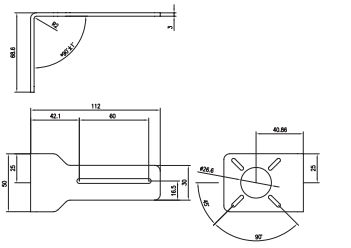
## Mountings

### Mountings for V10, V20 (Cont.)



153-00435

### Mountings for illumination

	 <p>153-00228</p>	<p>Part number / Article number</p> <p>Description</p> <p>Suitable for</p>	<p>MC 60 / 042-12820</p> <p>Retaining clip for mounting fluorescent tube</p> <p>Material: plastic</p> <p>LZS neon tubes</p>
	 <p>153-00707</p>	<p>Part number / Article number</p> <p>Description</p> <p>Suitable for</p>	<p>MA LR-18/112 / 543-11016</p> <p>Angle bracket for lighting, Ø 18 mm</p> <p>Length: 112 mm</p> <p>Material: nickel-plated steel</p> <p>LR 32 x-24-KFL5</p> <p>LD 50 xD-24-KFL5</p>
	 <p>153-00721</p>	<p>Part number / Article number</p> <p>Description</p> <p>Suitable for</p>	<p>MA LR-23/112 / 543-11019</p> <p>Angle bracket for lighting, Ø 23 mm</p> <p>Length: 112 mm</p> <p>Material: nickel-plated steel</p> <p>LR 56 x-24-KFL5</p> <p>LR 70 xD-24-KFL5</p> <p>LR 70 xID-24-KFL5</p>
	 <p>153-00722</p>	<p>Part number / Article number</p> <p>Description</p> <p>Suitable for</p>	<p>MA LR-26/112 / 543-11017</p> <p>Angle bracket for lighting, Ø 26 mm</p> <p>Length: 112 mm</p> <p>Material: nickel-plated steel</p> <p>LR 50 xW-24-KFL5</p> <p>LR 70 x-24-KFL5</p>

Mountings for illumination (Cont.)			
	<p style="text-align: right;">153-00723</p>	<p>Part number / Article number</p> <p>Description</p> <p>Suitable for</p>	<p>MA LR-50/112 / 543-11018</p> <p>Angle bracket for lighting, Ø 50 mm Length: 112 mm Material: nickel-plated steel</p> <p>LR 74 xW-24-KFL5 LR 75 xl-24-KFL5 LR 90 xW-24-KFL5 LR 100 xID-24-KFL5</p>
	<p style="text-align: right;">153-00724</p>	<p>Part number / Article number</p> <p>Description</p> <p>Suitable for</p>	<p>MA LR-100/112 / 543-11015</p> <p>Angle bracket for lighting, Ø 100 mm Length: 112 mm Material: nickel-plated steel</p> <p>LR 100 xD-24-KFL5 LR 130 xl-24-KFL5 LR 132 xW-24-KFL LFR 115 xD-24-2L12 LFR 45 xD</p>
		<p>V10,V20</p> <p>Mounting clamp, dovetail, long MK 45 L/ 543-11021</p> <p>Angle bracket for lighting: MA LR-100/112 / 543-11015 MA LR-18/112 / 543-11016 MA LR-26/112 / 543-11017 MA LR-50/112 / 543-11018 MA LR-23/112 / 543-11019</p> <p>Mounting angle with 2 axes MG 2A / 543-11023</p> <p style="text-align: right;">153-01108</p>	

Special bracket for F 25			
	<p style="text-align: right;">153-01040</p>	<p>Part number / Article number</p> <p>Description</p> <p>Suitable for</p>	<p>MZ F 25 / 661-01003</p> <p>Mounting adapter for FT 25 contrast sensors with horizontal or vertical light exit options, with screws</p> <p>Material: stainless steel V2A</p> <p>FT 25-W...-KL4 FT 25-RGB...-KL4</p>