



DG series

Miniature photoelectric sensors



Photoelectric sensors
with preamplifier

features

- IP68 photoelectric sensors for applications in harsh environment
- Sensing distance 60 m (HI), 30 m (LO)
- Approvals: CE



web contents

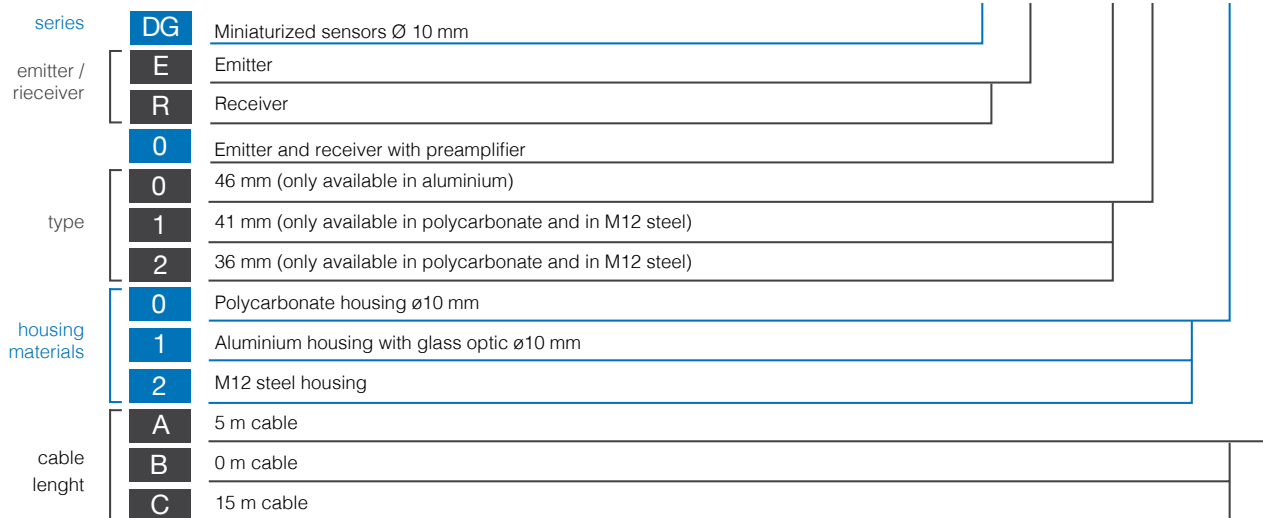


- Application notes
- Photos
- Catalogue / Manuals



code description

DG E / 0 0 - 0 A



available models

housing	housing length (mm)	emitter			receiver		
		5 m cable	10 m cable	15 m cable	5 m cable	10 m cable	15 m cable
polycarbonate housing ø10 mm	41	DGE/01-0A	DGE/01-0B	DGE/01-0C	DGR/01-0A	DGR/01-0B	DGR/01-0C
	36	DGE/02-0A	DGE/02-0B	DGE/02-0C	DGR/02-0A	DGR/02-0B	DGR/02-0C
aluminium housing with glass optic ø10 mm	46	-	DGE/00-1B	DGE/00-1C	-	DGR/00-1B	DGR/00-1C
M12 stainless steel	41	DGE/01-2A	DGE/01-2B	DGE/01-2C	DGR/01-2A	DGR/01-2B	DGR/01-2C
	36	DGE/02-2A	DGE/02-2B	DGE/02-2C	DGR/02-2A	DGR/02-2B	DGR/02-2C



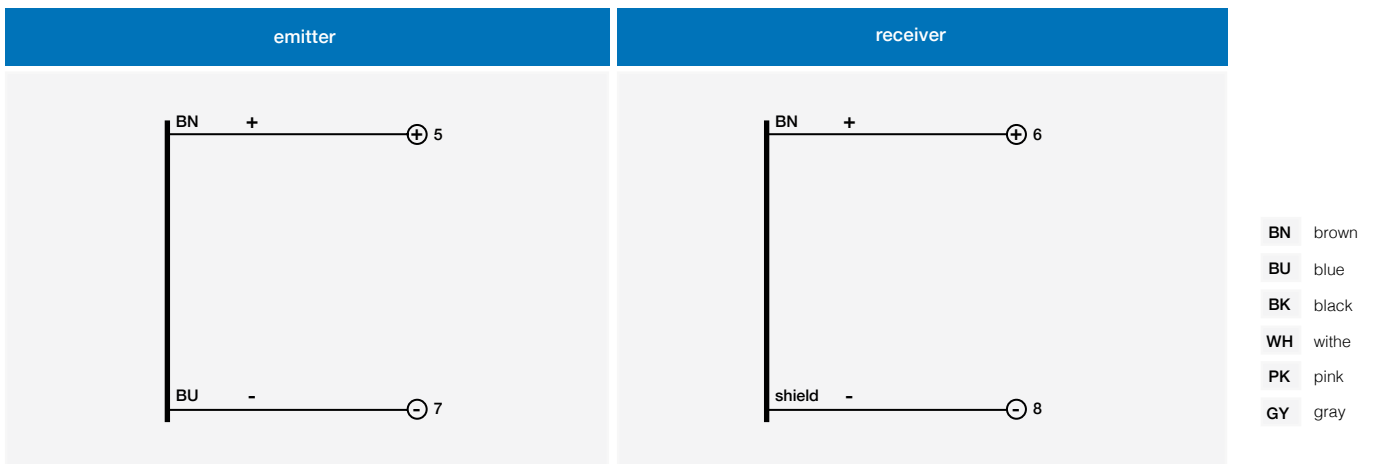
technical specification

Photoelectric sensors
with preamplifier

	DG*/1-0	DG*/2-0*	DG*/0-1*	DG*/1-2*	DG*/2-2*
housing length	41 mm	36 mm	46 mm	41 mm	36 mm
sensing distance	75 m	32 m	60 m	75 m	32 m
emission	infrared (880 nm)				
operating voltage	from UR				
beam angle ⁽¹⁾	± 5°*	± 10°*	± 5°*	± 5°*	± 10°*
interference to external light	20.000 lux				
temperature range	- 20°C...+ 60°C				
protection degree	IP67 (EN60529)				
EMC	in conformity with the EMC Directive according to EN 60947-5-2				
housing type	Ø 10 mm			M12	
housing material	polycarbonate		anodized aluminium	steel	
lens material	polycarbonate		glass	polycarbonate	
cable exit material	PVC				

⁽¹⁾ See characteristic curves

electrical diagrams of the connections



dimensions (mm)

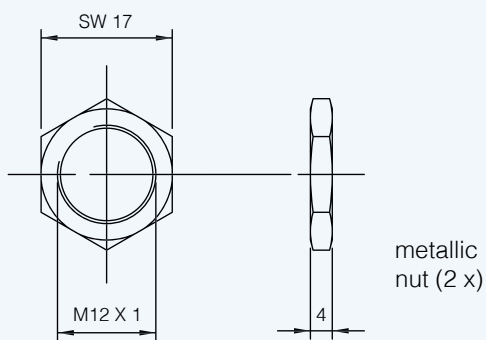
DG*/1-0*	DG*/2-0*	DG*/0-1*	DG*/1-2*	DG*/2-2*



Photoelectric sensors
with preamplifier

dimensions (mm)

accessories included in DG*/**-2* models

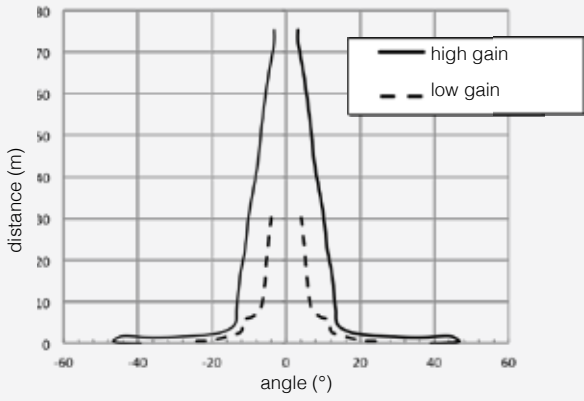




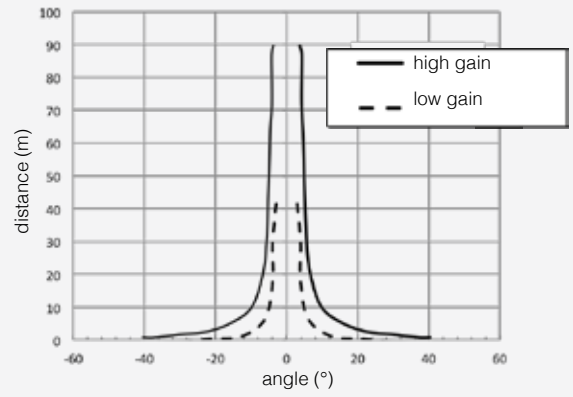
response diagram

Photoelectric sensors
with preamplifier

DG*/0-*



DG*/1-*



DG*/2-*

