

UM 18-60/250

Ultrasonic sensor with switching output



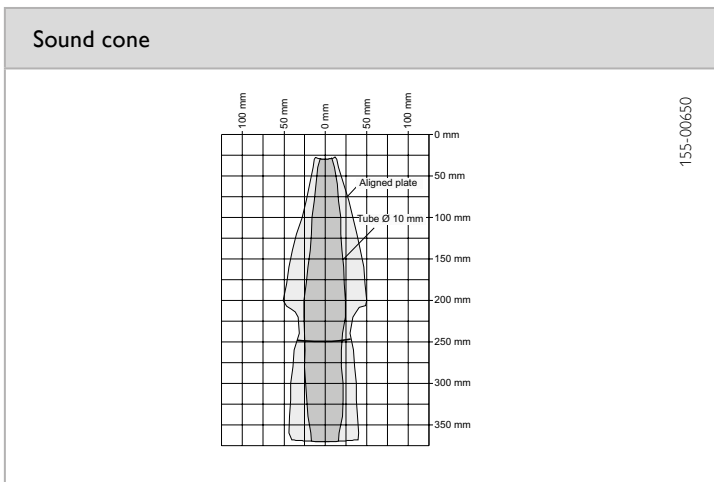
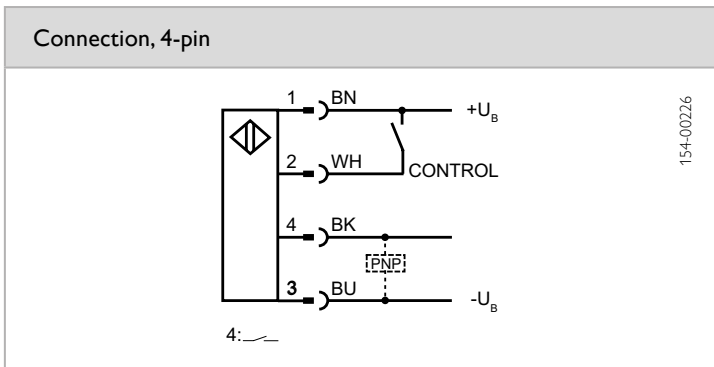
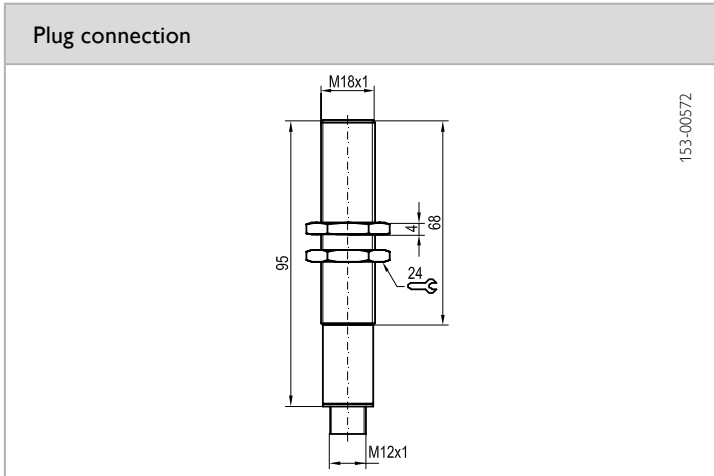
PRODUCT HIGHLIGHTS

- Robust M18 metal housings for harsh operating conditions
- Optional brass or stainless steel housings
- Operating scanning distance either 60 mm or 250 mm
- Simple sensor settings via control input

Sensor data		Functions	
Limit scanning distance	350 mm	Adjustment possibilities	Operating scanning distance 60 mm / 250 mm via control input
Operating scanning distance	30 ... 250 mm		
Ultrasonic frequency	~ 320 kHz		
Resolution	0.36 mm		
Repeatability ¹	< 1 mm		
Hysteresis	2 mm		
Temperature drift	0.17 % / K		
Electrical data		Mechanical data	
Operating voltage, +U _B	10 ... 30V DC ²	Dimensions	M18 x 95 mm
No-load current, I ₀	≤ 30 mA	Enclosure rating	IP 65 ³
Output current, I _e	500 mA	Material, housing	(See Selection Table)
Voltage drop, U _d	< 2.4V DC	Type of connection	(See Selection Table)
Protective circuits	Reverse polarity protection, U _B / short-circuit protection (Q)	Ambient temperature: operation	-20 ... +70 °C
Switching output, Q	PNP	Ambient temperature: storage	-40 ... +85 °C
Output function	N.O.	Weight	80 g
Switching frequency, f (ti/tp 1:1)	25 Hz		
Control input, WH	+ U _B = operating scanning distance 250 mm - U _B / open = operating scanning distance 60 mm		

¹With constant ambient conditions ²Max. 10 % ripple, within U_B ³With connected IP 65 plug

Operating scanning distance	Switching output	Housing material	Type of connection	Part number	Article number
30 ... 250 mm	PNP	Nickel-plated brass	Plug, M12x1, 4-pin	UM 18-60/250-CD-HP	690-51541
30 ... 250 mm	PNP	Stainless steel	Plug, M12x1, 4-pin	UM 18-60/250-CD-HP-E	690-51542



Accessories

Connection cables	From Page A-38
Brackets	From Page A-4